

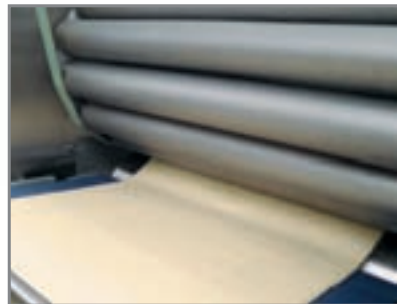


Compact Laminating Line

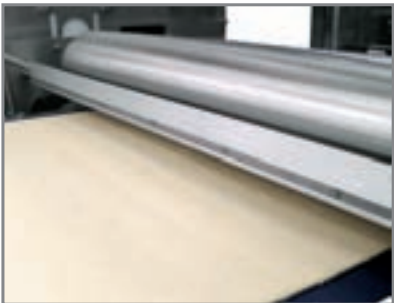


BAKERY AND PASTRY EQUIPMENT

Dough Billets Laminating Line

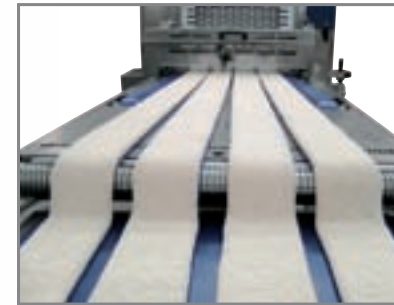


Extruding and Laminating Line



Multi Purpose Line



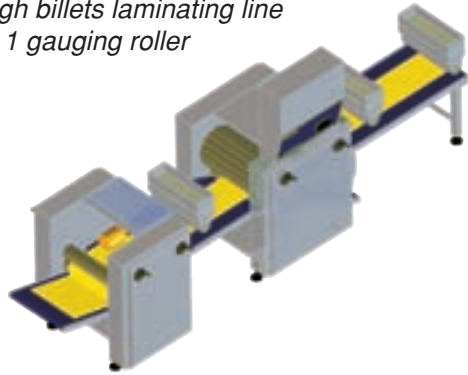


Dough Billets Preparing Line

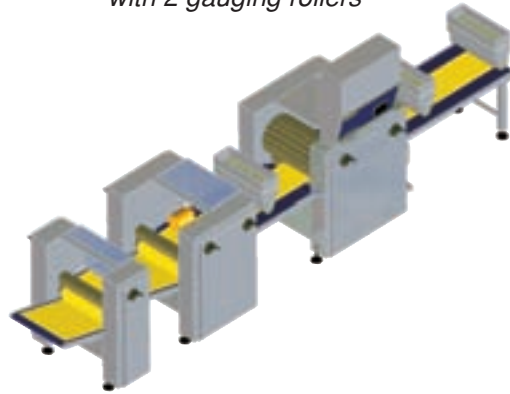


Solutions

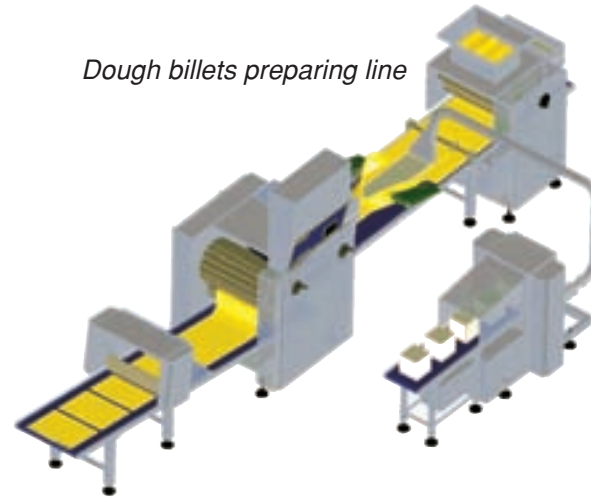
*Dough billets laminating line
with 1 gauging roller*



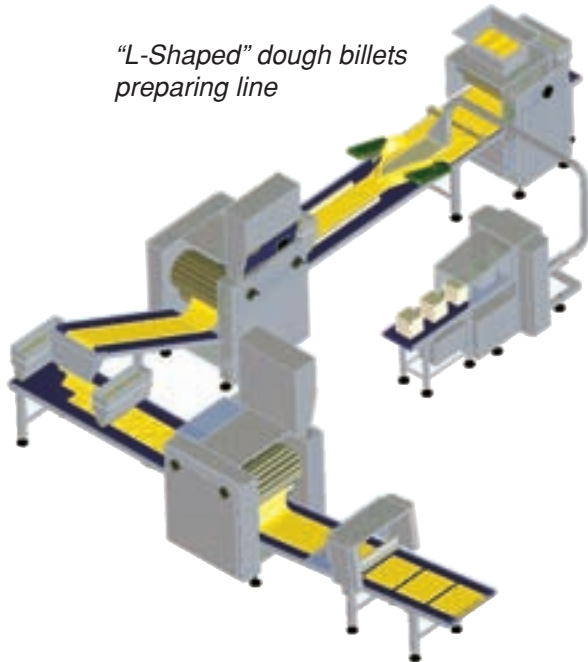
*Dough billets laminating line
with 2 gauging rollers*



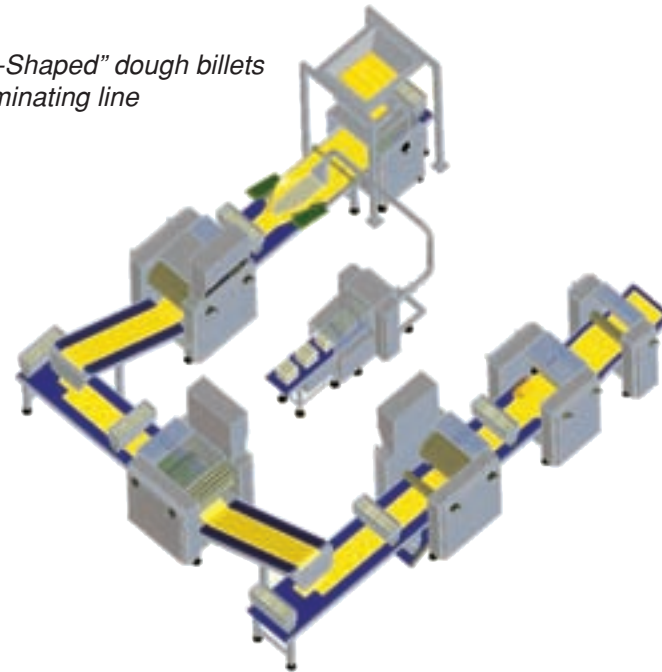
Dough billets preparing line



*"L-Shaped" dough billets
preparing line*



*"U-Shaped" dough billets
laminating line*





BAKERY AND PASTRY EQUIPMENT

ITALY

Canol s.r.l.

Via Casa Celeste, 4/6 • 36014 Santorso (VI) Italia

Tel. +39 0445 640 269 • +39 0445 640 364

Fax +39 0445 640 369 • E-mail: info@canol.it

www.canol.it

